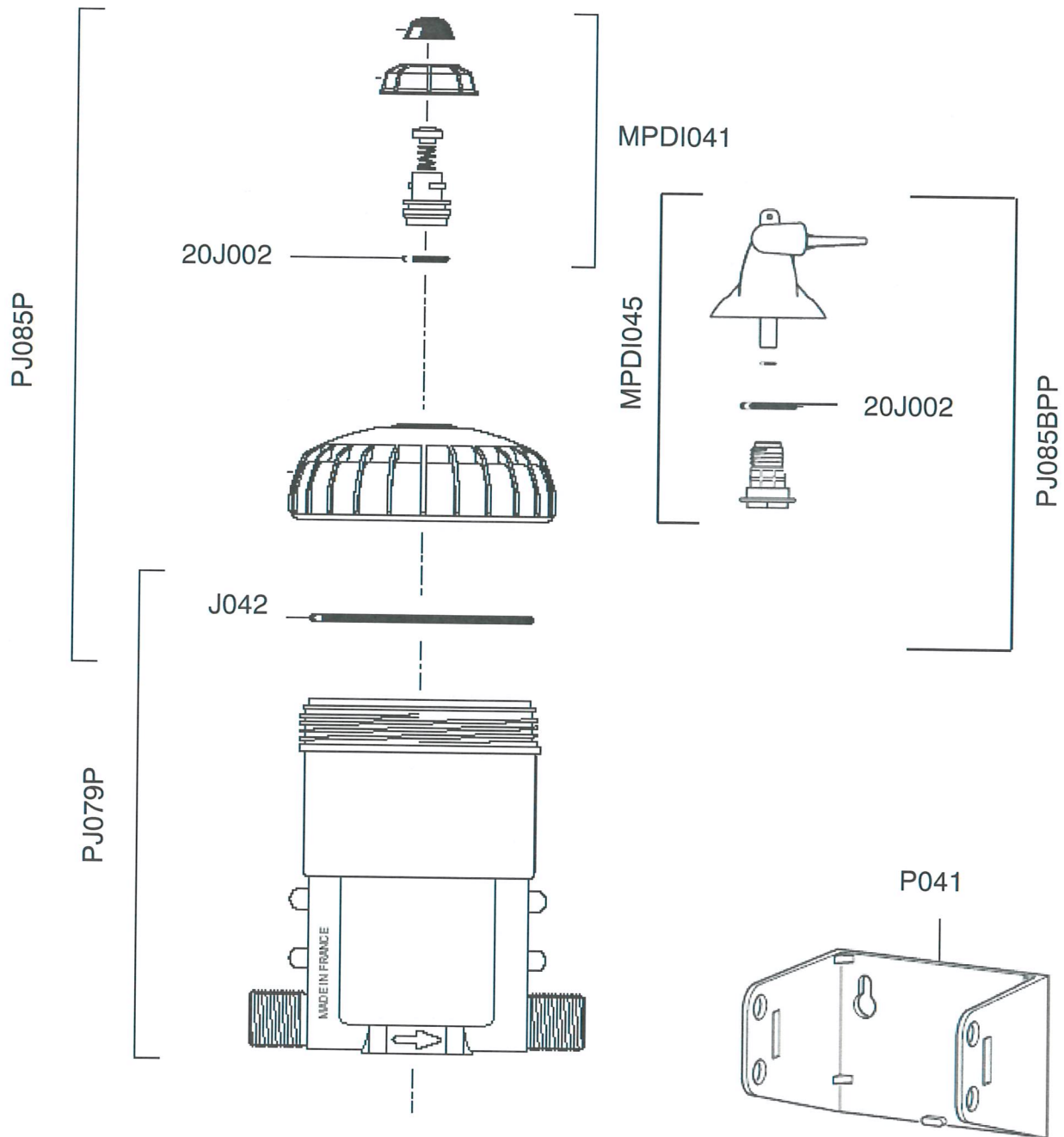
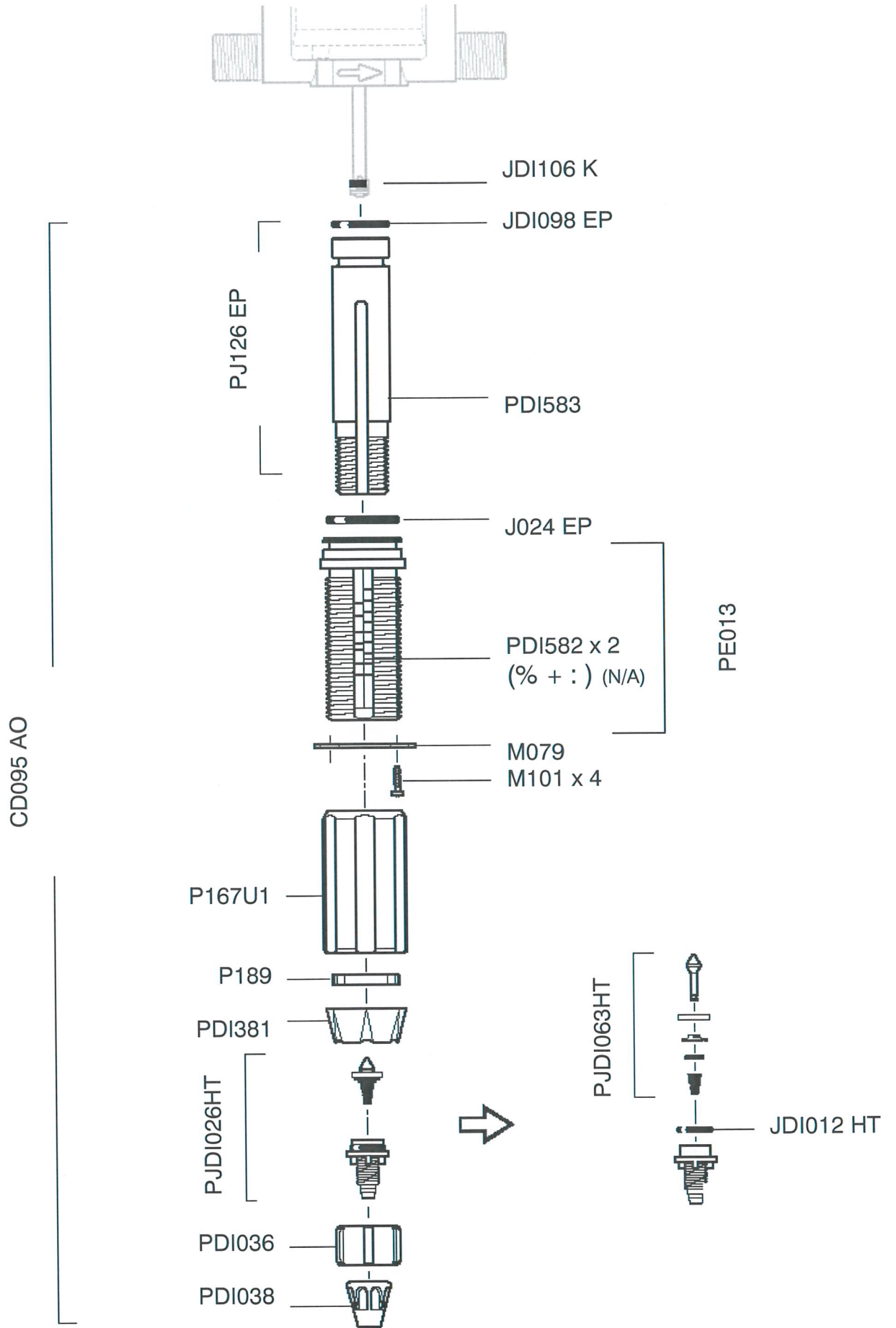


DOSATRON D25RE09 AO

2.5m³/h – 0.1 – 0.9%
0.3 – 6 bar

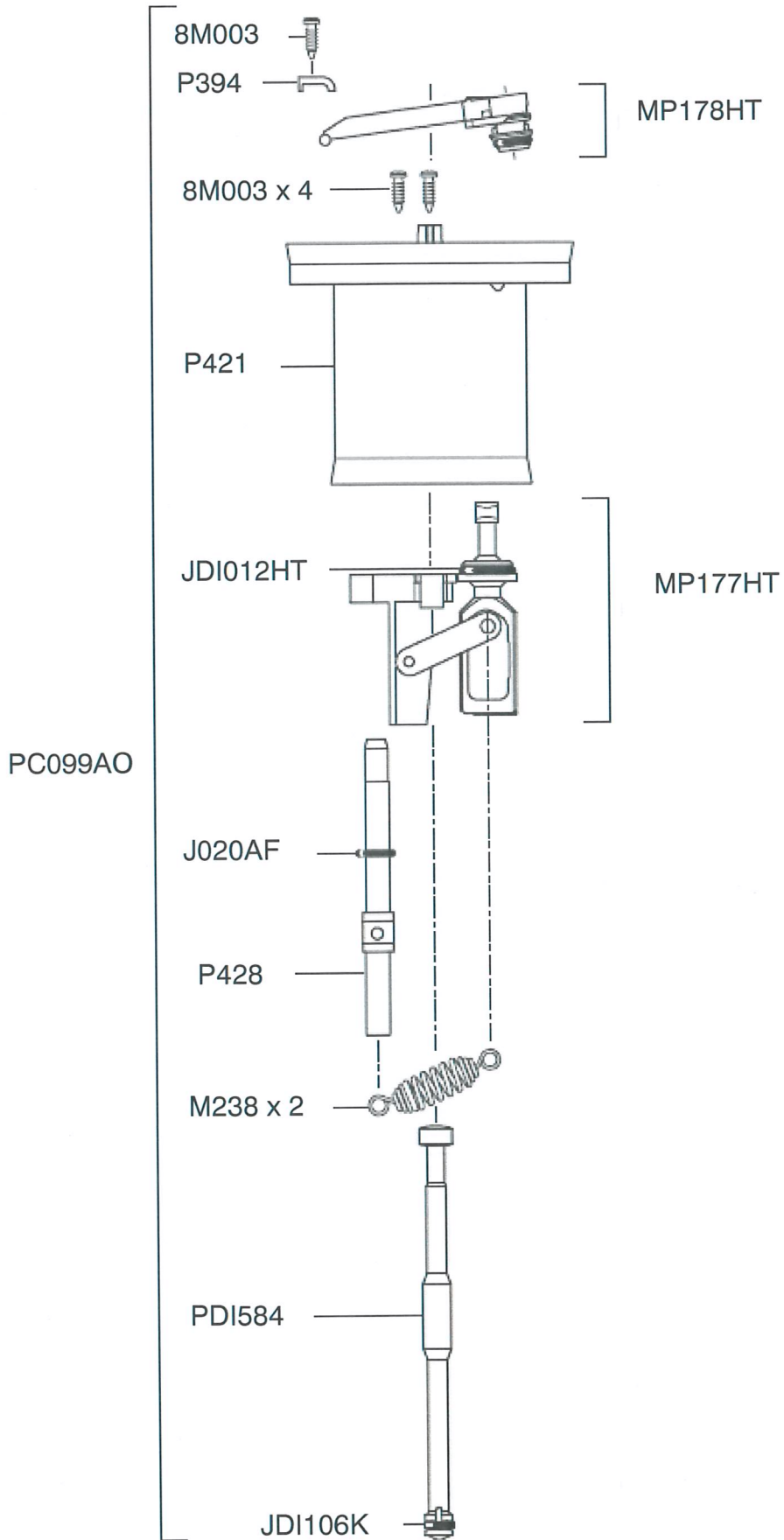




PJ127AO - Seal Set, Non Return Valve and Barbed Fitting:-
(JDI106K, JDI098EP, J024EP, PJDI 026HT)

DOSATRON D25RE09 AO

2.5m³/h – 0.1 – 0.9%
0.3 – 6 bar



DOSATRON D25RE09 AO

2.5m³/h – 0.1 – 0.9%
0.3 – 6 bar

